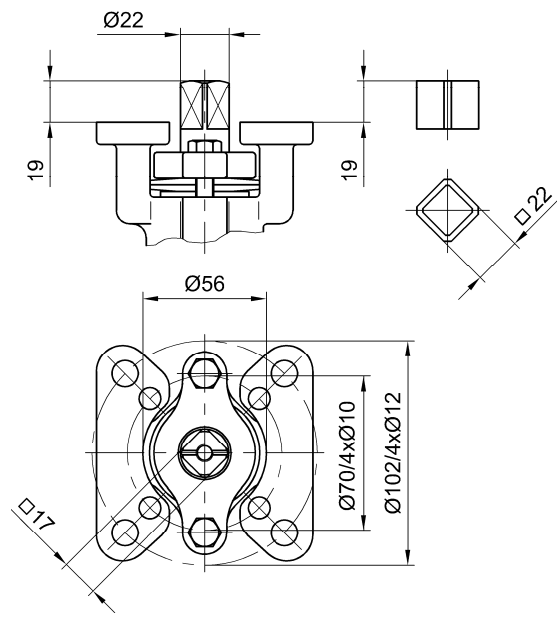
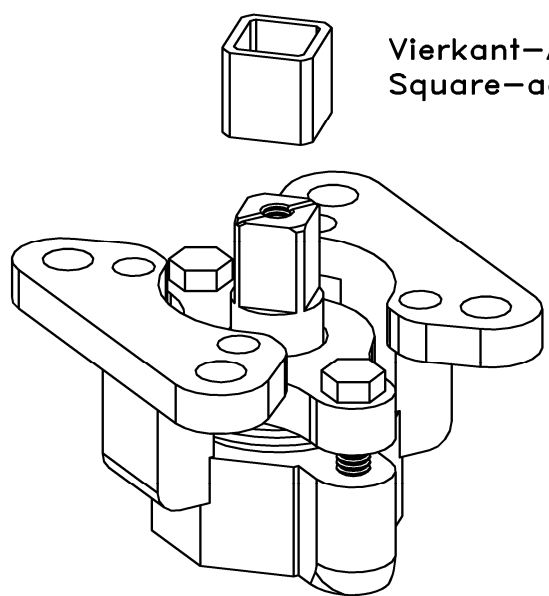


| DG1 | | FG | | | | | | | | | | Vierkant-Adapter/Square-adapter | | | | |
|---------|---------|---------|----|-----|-----|-----|-----|-----|-----|-----|----|---------------------------------|-----|----|-----|----|
| DN (F) | DN (R) | DN (F) | H1 | LK1 | LK2 | ØM1 | ØP1 | ØP2 | SW | V | ØZ | DIN 3337 ISO 5211 | □S2 | H2 | □S3 | H3 |
| 8 / 10 | 15 | - | 7 | 36 | 42 | 8 | 6 | 6 | 5,5 | 3,5 | 26 | F03/F04 | 9 | 10 | 11 | 12 |
| 15 - 25 | 20 - 32 | 15 / 20 | 8 | 42 | 50 | 9 | 6 | 7 | 7 | 3 | 26 | F04/F05 | 11 | 12 | 14 | 16 |
| 32 / 40 | 40 / 50 | 25 / 32 | 9 | 42 | 50 | 11 | 6 | 7 | 8 | 3,5 | 31 | F04/F05 | 11 | 12 | 14 | 16 |
| 50 | 65 | 40 / 50 | 13 | 50 | 70 | 14 | 7 | 9 | 10 | 4,5 | 36 | F05/F07 | 14 | 16 | 17 | 19 |

(F) = voller Durchgang / full bore (R) = reduzierter Durchgang / reduced bore



DG1: DN 65 (F) - DN 100 (F)
 DN 80 (R) - DN 150 (R)
 FG: DN 65 (F) - DN 100 (F)

DIN 3337 / ISO 5211: F07 / F10

Änderungen vorbehalten
 subject to changes